

7" Wireless HDMI Monitor with WHDI TECHNOLOGY

665/WH | 665/O/WH | 665/P/WH | 665/O/P/WH

LILLIPUT®

Specific Monitor by Lilliput for WHDI system.
Application for Field Broadcast & Making Movies.

WHDI Transmitter

Transmitter has a 30-meter range and supports up to 1080p 60Hz resolution.

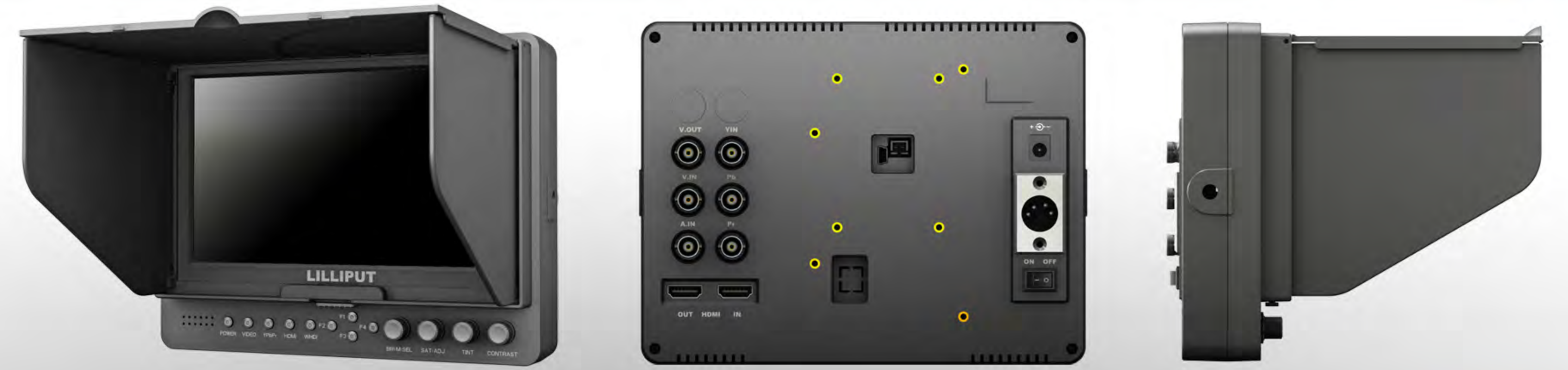


Built-in Wireless HDMI Receiver is compliant with WHDI 1.0

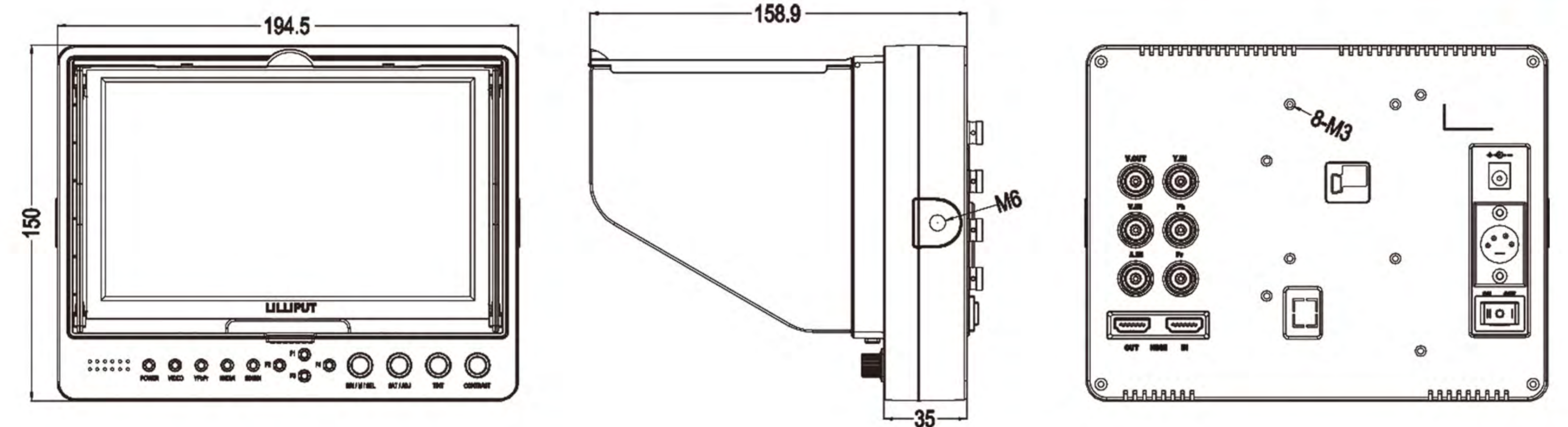
- ★ No HDMI cable, no trouble
- ★ Wireless transmission without delay
- ★ Transmitter distance: 30-meter
- ★ FHD 60Hz video format supported
- ★ High contrast: 800:1
- ★ WHDI, YPbPr & HDMI input/output
- ★ Wide voltage: DC 6.5-24V
- ★ Flexible folding sunshade



APPEARANCE



OUTLINE DIMENSION

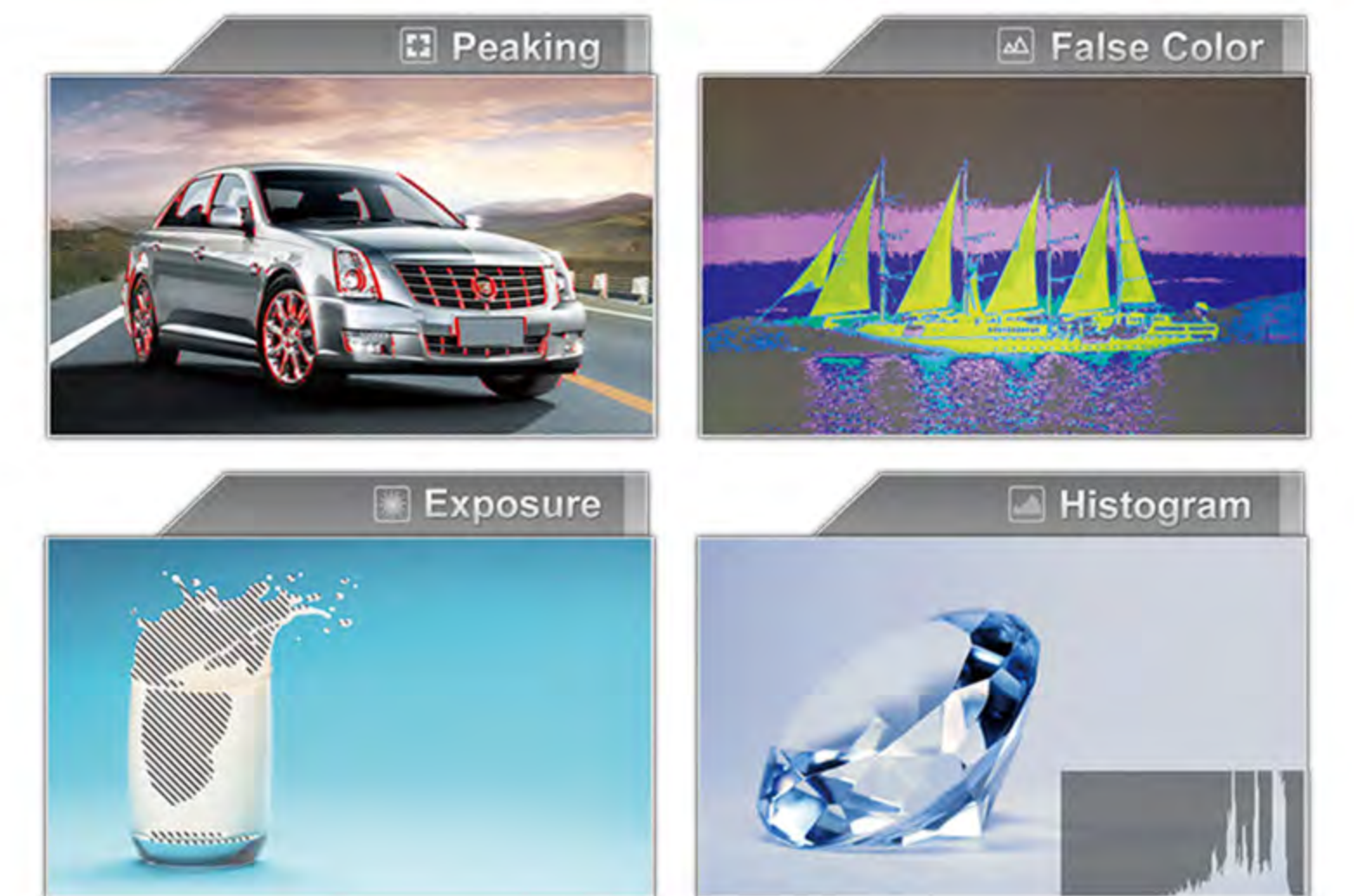


FEATURE & ADVANCED FUNCTIONS



PTP & PTMP Transmission

PTP: Point-to-point (standard)
PTMP: Point-to-multipoint (optional)
*One transmitter can work with one receiver or multi-receivers.



SPECIFICATIONS & ACCESSORIES

| | | |
|---------------------------------|--------------------------|--|
| DISPLAY | Panel | 7" LED backlit (16:9) |
| | Physical Resolution | 1024×600, support up to 1920×1080 |
| | Brightness | 250cd/m ² |
| | Contrast | 800:1 |
| INPUT | Viewing Angle | 160° / 150° (H/V) |
| | WHDI | 1 |
| | HDMI | 1 |
| | YPbPr | 3 (BNC) |
| OUTPUT | VIDEO | 1 |
| | AUDIO | 1 |
| | HDMI | 1 (optional) |
| | VIDEO | 1 |
| POWER | Current | 800mA |
| | Input Voltage | DC 6.5-24V (XLR) |
| | Battery Plate | V-mount/Anton Bauer mount / F970 / QM91D / DU21 / LP-E6 |
| | Power Consumption | ≤10W |
| ENVIRONMENT | Operating Temperature | -20°C~60°C |
| | Storage Temperature | -30°C~70°C |
| | Dimension(LWD) | 194.5×150×38.5 / 158.5mm (with cover) |
| DIMENSION | Weight | 520g / 720g (with cover) |
| | WHDI VIDEO FORMAT | HDMI VIDEO FORMAT |
| Full HD: 1080p 60/50/30/25/24Hz | | Full HD: 1080p 60/59.94/50/30/29.97/25/24/23.98/23.976Hz |
| HD: 1080i 60/50Hz, 720p 60/50Hz | | HD: 1080i 60/59.94/50Hz, 1035i 60/59.94Hz |
| SD: 576p 50Hz, 576i 50Hz | | SD: 720p 60/59.94/50/30/29.97/25Hz |
| SD: 480p 60Hz, 486i 60Hz | | SD: 576i 50Hz, 486i 60/59.94Hz, 480p 59.94Hz |

STANDARD ACCESSORIES:

1. WHDI transmitter & USB power cable
2. Flexible folding sun shade
3. Battery plates
4. Battery plate bracket
5. DC adapter
6. HDMI A/C cable
7. Manual

OPTIONAL ACCESSORIES:

8. Li-ion battery
9. V-mount battery plate
10. Anton mount battery plate
11. Shoe mount

